

# PRISM

HARDSCAPES

## **FUEGO SERIES**



Installation, Operation, & Maintenance Manual

# **WARNING: THIS APPLIANCE IS FOR OUTDOOR USE ONLY!**



This manual should remain with the parties responsible for operation.

## **Table of Contents**

### Section 1: General Description

#### 1.1 Product Dimensions

#### 1.2 Safely Moving Fire Feature

### Section 2: Safety Instructions

### Section 3: Installation Details

#### 3.1 Gas Requirements

#### 3.2 Internal View of Components

#### 3.3 Quick Connect Propane Hose

### Section 4: Operation

#### 4.1 Ignition

#### 4.2 Adjustment

#### 4.3 Caring For Unit

### Section 5: Troubleshooting

### Section 6: Warranty

**DO NOT DISCARD INSTRUCTIONS**

## Section 1

## General Description

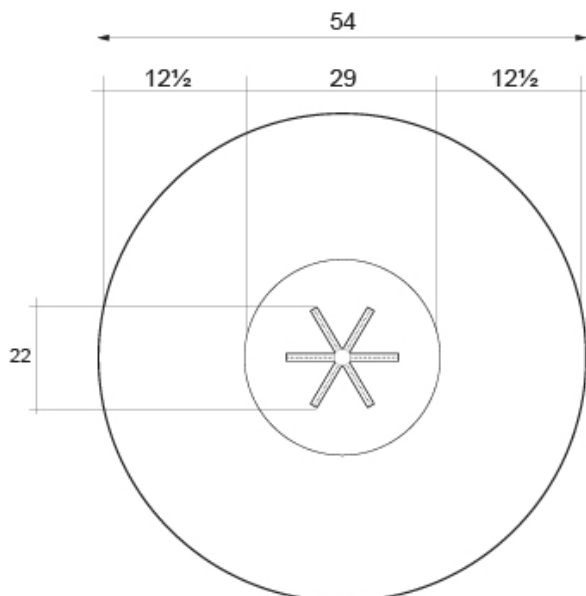
Overall Diameter	39"
Overall Height	16 1/2"
Surface	12 1/2"
Burner	22"/125,000 BTUs
Weight	550 lbs.

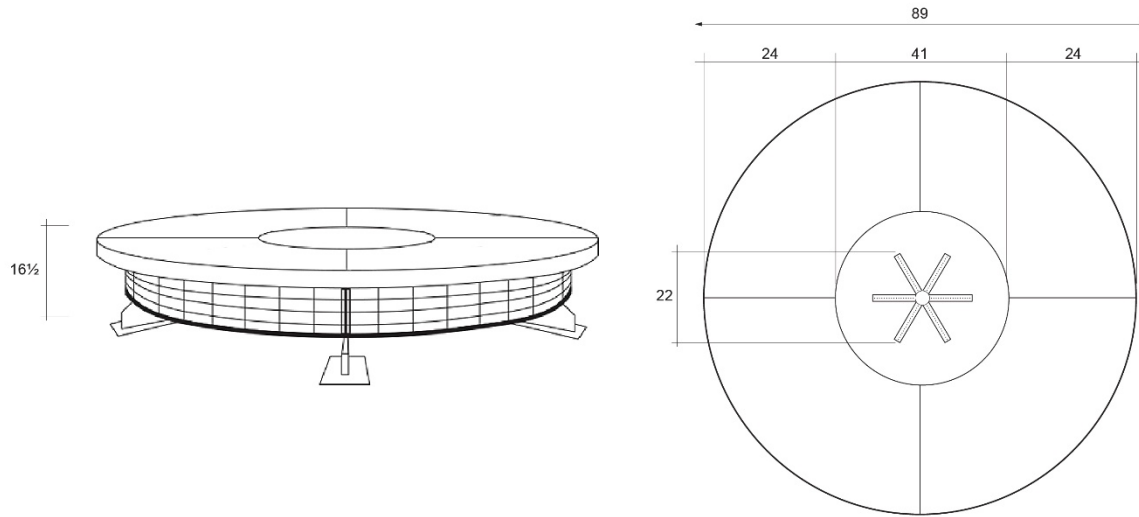
### 1.1 Product Dimensions

Fuego 54 Fire  
Feature:

Overall Diameter	89"
Overall Height	16 1/2"
Surface	24"
Burner	22"/125,000 BTUs
Weight	1050 lbs.

Fuego 89 Fire  
Feature:





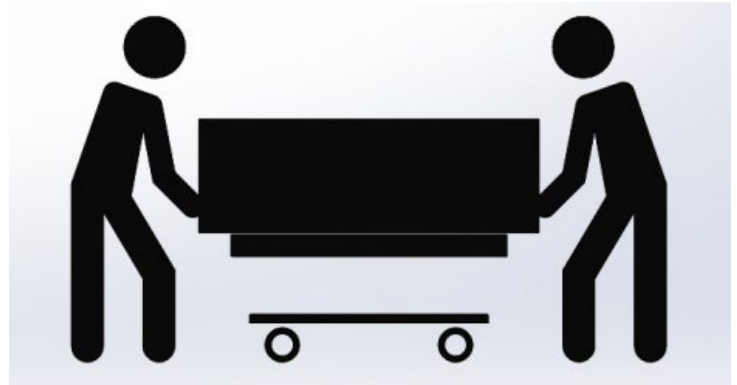
Note: Enclosure should be located a minimum of 3-4ft. away from fire feature. Ensure the enclosure is not placed directly on/over the propane hose that could otherwise kink, pinch, or cut off the gas supply.

### 1.2 Safely Moving Fire Feature

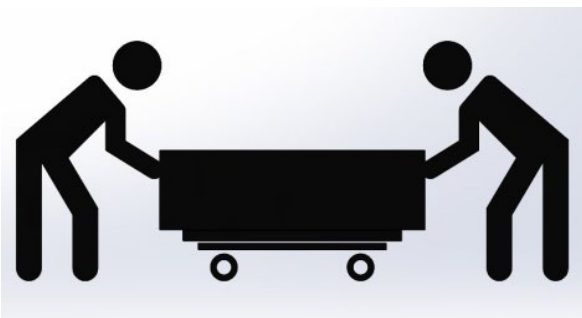
- NEVER ATTEMPT TO MOVE YOUR FIRE FEATURE BY YOURSELF
- WRAP FURNITURE BLANKET AROUND THE ENTIRE BODY OF THE UNIT
- PLACE A PIECE OF  $\frac{3}{4}$ " PLYWOOD BETWEEN DOLLY AND THE FIRE FEATURE FOR INCREASED STABILITY WHILE MOVING
- USE DOLLY TO NAVIGATE THE UNIT TO THE FINAL POSITION



DO NOT USE A WHEELBARROW OR OTHER UNBALANCED EQUIPMENT TO MOVE UNIT

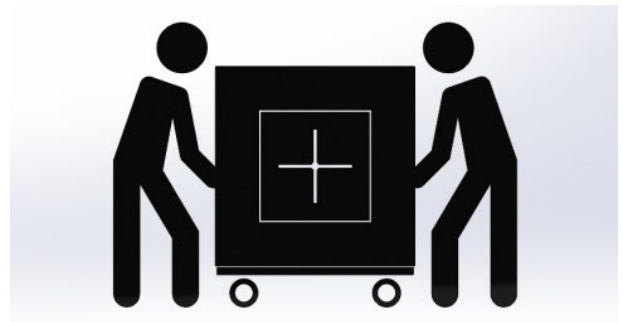


CAREFULLY REMOVE UNIT FROM CRATE AND PLACE ONTO MOVING DOLLY

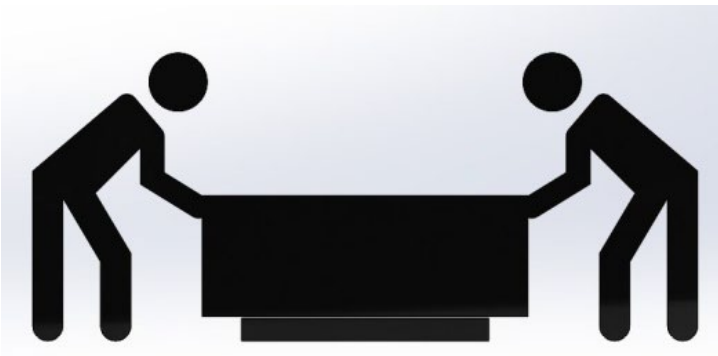


PLACE FIRE FEATURE WITH BASE DOWN TO MOVE

OR



PLACE FIRE FEATURE ON SIDE TO MOVE  
**\*SECURE PAN/BURNER PRIOR TO TILT\***  
(ONLY FOR SQUARE OR RECTANGLE UNITS)



GENTLY PLACE FIRE FEATURE INTO FINAL POSITION

# Safety Instructions



## **CALIFORNIA PROPOSITION 65**

**This product can expose you to Chromium, which is known in the state of California to cause cancer, birth defects or other reproductive harm.**

**(for more information, go to: [www.p65warnings.ca.gov](http://www.p65warnings.ca.gov))**

Prior to installation, read and follow all warning notices and instructions provided with this product. Failure to do so may result in property damage, personal injury, and/or death. Improper installation and/or operation may result in exposure to carbon monoxide and flue gases which can cause serious injury, property damage, and/or death. For installations in the vicinity of occupied/living areas, Prism Hardscapes strongly recommends installation of carbon monoxide detectors within reach of this appliance and in any adjacent occupied spaces. Improper installation and/or operation will void warranty.

**THIS APPLIANCE IS FOR USE WITH PROPANE GAS ONLY. AT NO TIME ARE SOLID OR ALTERNATIVE FUELS TO BE USED WITH THIS APPLIANCE.**

**Do not store or use gasoline or other flammable vapors and liquids within the vicinity of this or any other appliance.**

Prism Hardscapes strongly recommends the installation of Carbon Monoxide detectors within reach of this appliance and in any adjacent occupied spaces.

**⚠ WARNING**

Before installing this product, read and follow all warning notices and instructions provided. Failure to do so may result in serious injury, property damage and/or death. For additional product reference and copies of these instructions, visit our website at [prismhardscap.es.com](http://prismhardscap.es.com)

**⚠ WARNING**

This appliance may produce carbon monoxide which has no odor. Using this appliance in an enclosed space such as a motorhome, camper, car or home may result in death.

Appliance should be serviced annually, any parts that require replacement should be replaced only by a certified service professional using parts recommended by manufacturer.

Do not alter any component or design of this unit as it may alter the operation and result in injury, property damage and/or death. Altering unit will also automatically void warranty.

This fire feature is not intended for cooking. Do not place anything on or in fire feature.

Never use fire feature in windy conditions.

Do not touch hot surfaces, hot media (rocks/glass/etc.) or open flames.

Do not reach, jump, or walk across unit, media or open flames.

Do not ignite fire feature when media (rocks/glass/etc.) are wet. Doing so may cause media to crack and burst.

It is important to inspect your fire feature before every use. Make sure there are no obstructions or combustible materials on or near unit.

Wipe down surface of unit before every use and immediately clean any spills or messes on or around unit.

Consistently check hoses and fittings for cracks, abrasions and leaks (at least once a month).

Do not leave pets or children unattended around fire feature.

Use the designated cover when unit is not in use.

If burner goes out, immediately turn off propane gas and wait several minutes to ensure that there is no residual gas. Then turn gas back on and re-light burner.

Inspect unit and components prior to initial start-up and before/after each use.

# Section 3

# Installation Details

## 3.1 Gas Requirements

The fire feature should be placed on a flat and level surface. It will arrive with the burner and burner plate set inside the unit. Burner hardware has been installed at the factory but will need to be checked for proper tightness after transportation. Refer to the corresponding section below for set-up on your unit. All units must have clearance to combustile surface of 4ft on all sides & 6ft from the top.

### 3.1.1 Propane Gas

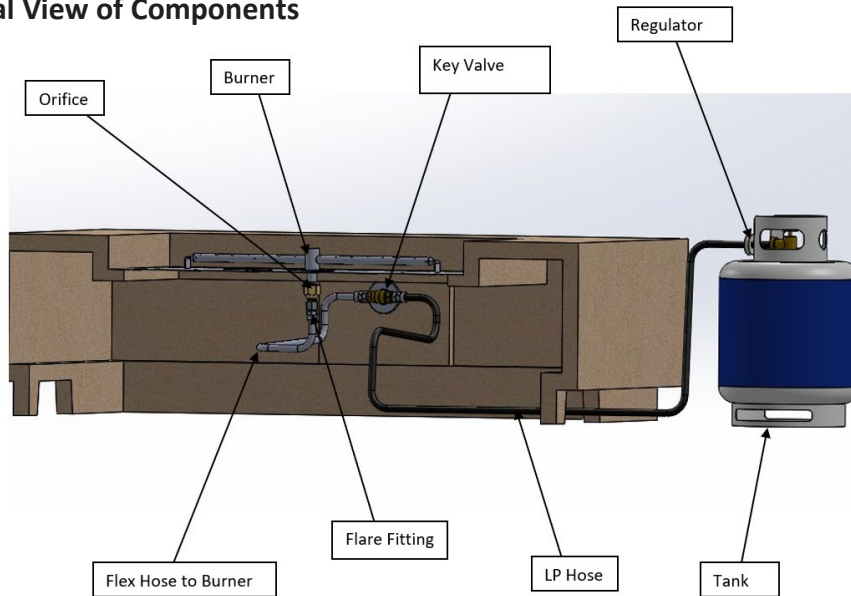
Gas Pressure: 11 inches water column

Gas Input Flow: 65,000 BTUs/HR

Make sure the foundation is flat and level prior to placement. Units that use liquid propane will come with a burner, orifice, flex hose and regulator that will attach to the propane tank. This gas hose will need to go from the tank to the burner. The hose should connect from the key valve within the unit, through a vent underneath and to the propane tank. Make sure all fittings are tightened properly with a wrench, do not hand tighten! An additional flex hose will be attached to the other end of the key valve to the flare fitting at the bottom of the burner. The arrow on the key valve should be pointing the direction of the gas flow (towards the burner plate on your fire feature).

Fire features do not include propane cylinder; you will need to provide one. The liquid propane supply cylinder must be constructed and marked in accordance with the specifications for propane gas cylinders as required by the U.S. Department of Transportation (DOT).

## 3.2 Internal View of Components



### **3.3 Propane Gas Quick Connection**

The fire feature is equipped with a quick connect brass connection. Coupled with the brass connection on the propane hose to quickly and conveniently provide proper pressure to operate the fire feature as well as a sealed connection to the tank.

To Connect:

1. Pull the sleeve back on hose connection.
2. While sleeve is in the back position push onto connection on the fire feature receiver.
3. Release sleeve. (sleeve will automatically slide into place)
4. Gently tug/pull on the hose to ensure connection has been made.

To Disconnect:

1. Push inwards on the connection, then pull back on the sleeve.
2. While the sleeve is in the back position pull away the connection on the fire feature receiver.
3. Release sleeve. (sleeve will automatically slide into place)

# Section 4

# Operation

## 4.1 Ignition

Refer to the section below according to which ignition system you purchased. An initial burner test should be done prior to filling the pan with media (rocks/glass/etc.)

### 4.1.1 Manual Light

You will need a fireplace lighter, do not use a match or cigarette lighter as they are much shorter and will light the fuel too close to the burner which may result in serious injury. Ignite your fireplace lighter and hold the tip close to the burner. Insert fire table key and turn it to the ON position to start gas flow to the burner- if you are using a propane tank unit, please note you will need to open the valve on your tank first. If your burner does not light within 5 seconds, turn key to the OFF position and wait 10 seconds before trying again. If the burner still does not light, call your local gas technician to determine if there is a problem. Once burner lights, immediately remove your hand and allow burner to operate for a few minutes before turning it off. Make sure the valve is properly closed every time you leave your fire feature unattended and remove key. For propane units, ensure that valve on tank is completely closed when fire feature is not use.

You are now ready to place the fire media onto the burner pan. Slowly pour media onto pan and spread evenly. Fire media should be sparsely spread out enough to cover pan. Only use the recommended amount of media in your unit (the amount provided), overfilling may result in smaller flame and gas buildup which may cause an explosion. Fresh air must be able to pass through the unit. Do not block or obstruct any vents on lower and upper parts of the fire feature. These are designed to ensure proper combustion and ensure no buildup of residual gases within the unit.

### 4.1.2 Electronic Ignition

Prism Hardscapes offers a separate installation guide for the Electronic PH-Ignite System. All other electronic system guides must be requested from their corresponding manufacturers.

**⚠ CAUTION: Open flames will ignite combustible materials such as clothing, fabric, hair, etc. which may result in serious injury, property damage and/or death. Be cautious of the open flames while burner is lit.**

## 4.2 Adjustment

Allow the fire feature and media to cool down before moving or adjusting. This may take from 30 minutes to 1 hour depending on the size of the fire feature. Any shifting of fire media or feature should be done after the entire unit has cooled. Also prior to movement, ensure that all gas valves are completely closed and disconnected.

Refer to Section 1.4 for instructions on how to safely move your unit.

## 4.3 Caring for Unit

It is recommended to wipe the unit down before every use, and always clean any spills immediately so as not to allow stains to set in. Cleaning can be done with mild soap, water, and a rag. We also recommend resealing the unit after 2 years with a water-based concrete sealer

## Section 5

## Troubleshooting

Refer to the section below according to issue and gas source.

### BURNER WILL NOT LIGHT

Possible Cause	How to Fix
Air in Gas Line	If newly installed, it may take several attempts to purge air from line.
Debris in Gas Line	Confirm gas line is clear and free of obstruction (insulation, dirt, excess pipe sealer, water, etc.). Clearing line of debris may require help from a professional.
Improper Gas Pressure	Check if tank is low or empty, may need to refill or replace.

### BURNER WILL NOT STAY LIT

Possible Cause	How to Fix
Improper Gas Pressure	Check if tank is low or empty, may need to be refilled or replaced.
Improperly Applied Fire Media	Media may be too dense; media will need to be reduced and evenly spread.

### NOISE

Note: Only use propane gas hose supplied by the manufacturer as they have been tested for noise.

Possible Cause	How to Fix
Gas Hose Restrictions	Remove any tight bends or kinks in gas supply hose.
Excessive Gas Flow	Check gas regulator and reset if not within factory recommendations (Refer to the subsection for your gas type in Section 3).

### UNIT IS SMOKING

Possible Cause	How to Fix
Poor Fuel Quality	Propane Gas Units: Inspect propane tank and hose, one or both may need to be refilled or replaced.
Excessive Flame Blockage	Separate and spread media (rocks or glass) evenly to allow flames to spread and pass-through media more evenly.

Improper Air/Fuel Mixture	Remove any foreign items or other combustible materials from unit & check for proper orifice sizing.
---------------------------	--

**BURNER FLAME IS TOO HIGH OR TOO LOW**

Possible Cause	How to Fix
Incorrect Gas Supply Pressure	Propane Gas Units: Inspect propane tank and hose, one or both may need to be refilled or replaced.
Blocked burner ports or burner orifice	Clear burner ports and orifice of foreign particles or debris and wipe clean.
Improper Orifice Size	Verify burner orifice is the proper size for the fuel being used. Consult with factory by emailing tech-support@prismhardscapes.com.

**UNIT PRODUCING UNWANTED ODORS**

Possible Cause	How to Fix
Gas Leak	DO NOT OPERATE -but leave gas source on/open (the gas should be flowing through the hose up to the igniter valve). Inspect hose(s), check for any leaks at all connections and fittings by using soapy water, checking for bubbles. If leak is found, turn off gas immediately and contact support for replacement component(s). If no leak is found, inspect propane tank for damage or defect; tank may need to be replaced.

**BATTERY IGNITION**

Possible Cause	How to Fix
Dead Battery	If you do not hear the igniter sparking or producing a spark test/change the require AA battery.
Not Lighting	Igniter: check battery. Igniter: check igniter probe wire connection behind battery housing. (if faulty call support, 951-600-1123) Fuel: check fuel source/hose.

**COLOR FADING**

Possible Cause	How to Fix
Exposure	Concrete Units: Purchase cement sealer at your local brick and mortar retailer and apply a coat to concrete areas every year.

## Section 6

## Warranty

**Prism Hardscapes LLC** offers a **2-year limited warranty** against manufacturer defects. Prism Hardscapes will repair or replace product that has been proven to be defective in workmanship and/or materials. If the unit is confirmed defective and is not repairable by a qualified Prism Hardscapes representative, it will be replaced **FOB Prism Hardscapes facility**.

**New orders must be inspected within 48 hours of delivery.** Any visible damage or defect must be reported to Prism Hardscapes within this time frame to ensure warranty eligibility.

The buyer must provide proof of purchase along with the date of delivery to the end user and arrange shipping associated with the replacement of the unit. Prism Hardscapes will not be responsible for any defects resulting from misuse, user error, installation error, abuse, repair, or alteration. The use of wood or fuels other than those specified for use with this unit by Prism Hardscapes will void the warranty immediately.

Under no circumstances will Prism Hardscapes be liable for incidental or consequential damages resulting from defective products. This warranty is Prism Hardscapes' sole warranty; all others, expressed or implied, including warranties of merchantability or fitness for a particular purpose, are disclaimed.

Prism Hardscapes is not responsible for any injury or mishap related to misuse, abuse, or poor judgment in selecting fire display locations.

[warranty@prismhardscapes.com](mailto:warranty@prismhardscapes.com)

We believe in spaces that are designed for living, making memories, and enjoying life.